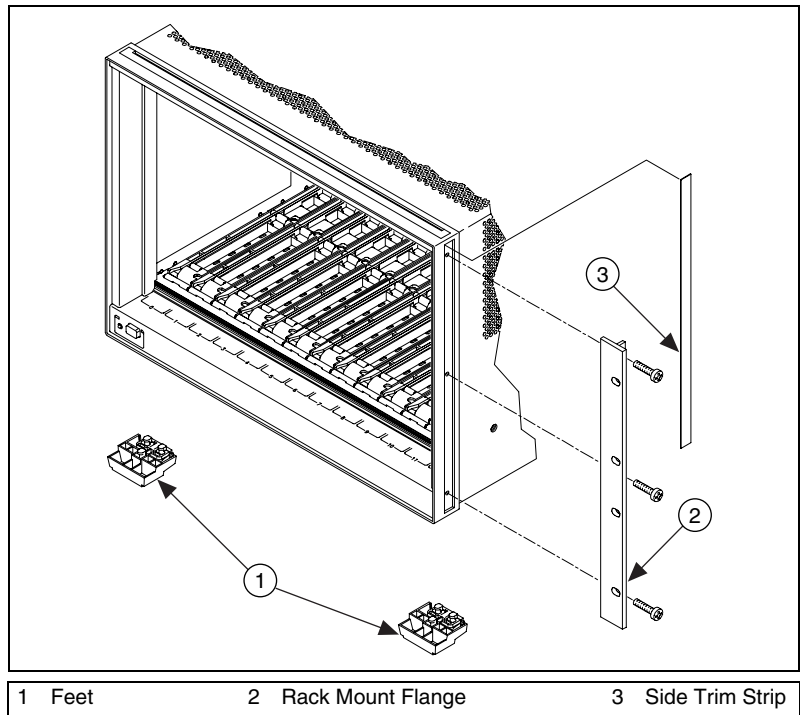


VXI-1501 FLANGE-ONLY KIT

This kit includes flanges and hardware for mounting the mainframe in a standard 19 in. rack.



Caution Do *not* rack mount the mainframe using only the flanges. The mainframe should be supported by either an optional slide kit (offered by National Instruments as the Advanced Rack Mount Kit¹), a rail kit (offered by National Instruments as the Basic Rack Mount Kit²), or a cabinet shelf.



Follow these steps to install the rack mount flanges:

1. Remove the side trim strips from the VXI-1501.
2. Attach the rack mount flanges with three screws per side (included with the kit).
3. Remove the front and rear feet.

¹ The Advanced Rack Mount Kit includes the handle and flange kit.

² The Basic Rack Mount Kit includes this flange-only kit.